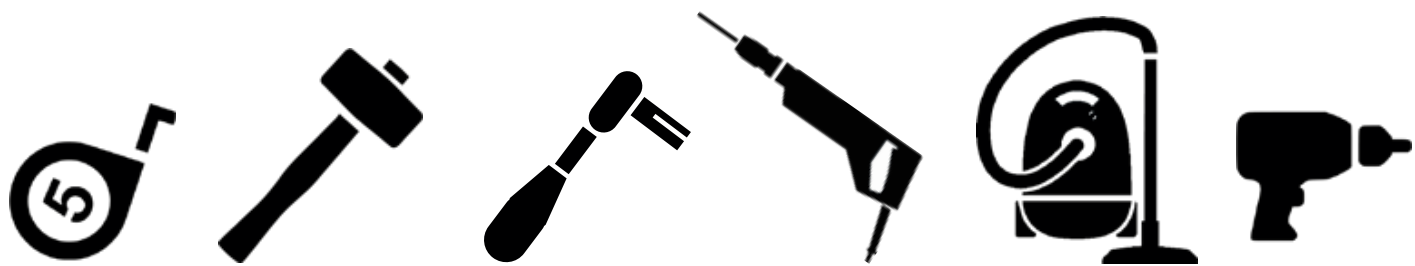
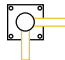


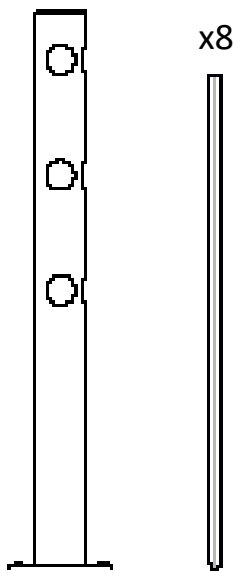
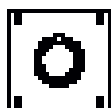


d-flexx

DELTA-C



DFFS-M-W90 



72031 x 4

901.02-9

DFFS-H1 & DFS-HI



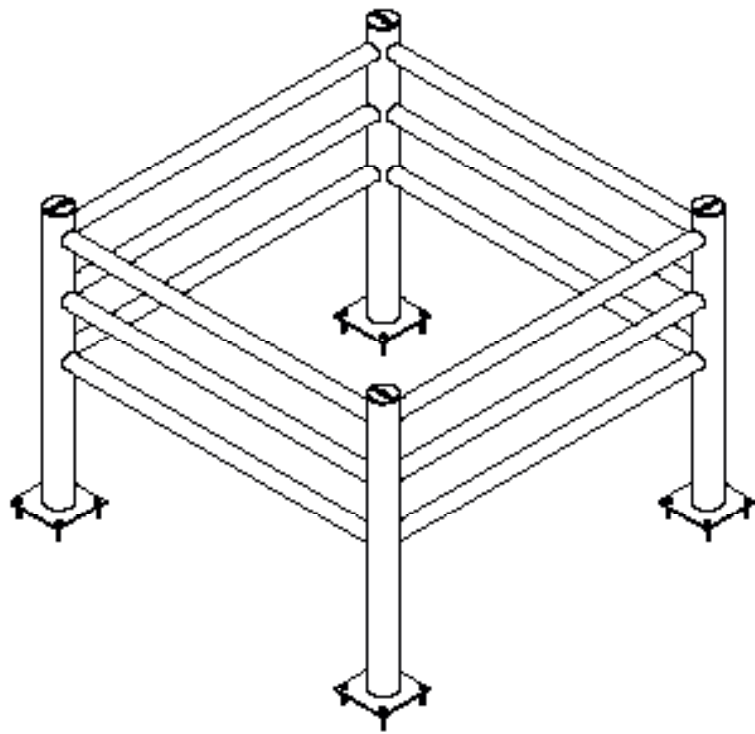
72040
x12



76011
x4



747.31-7



1. 1.

2. 2. 3. 3. 4. 4.

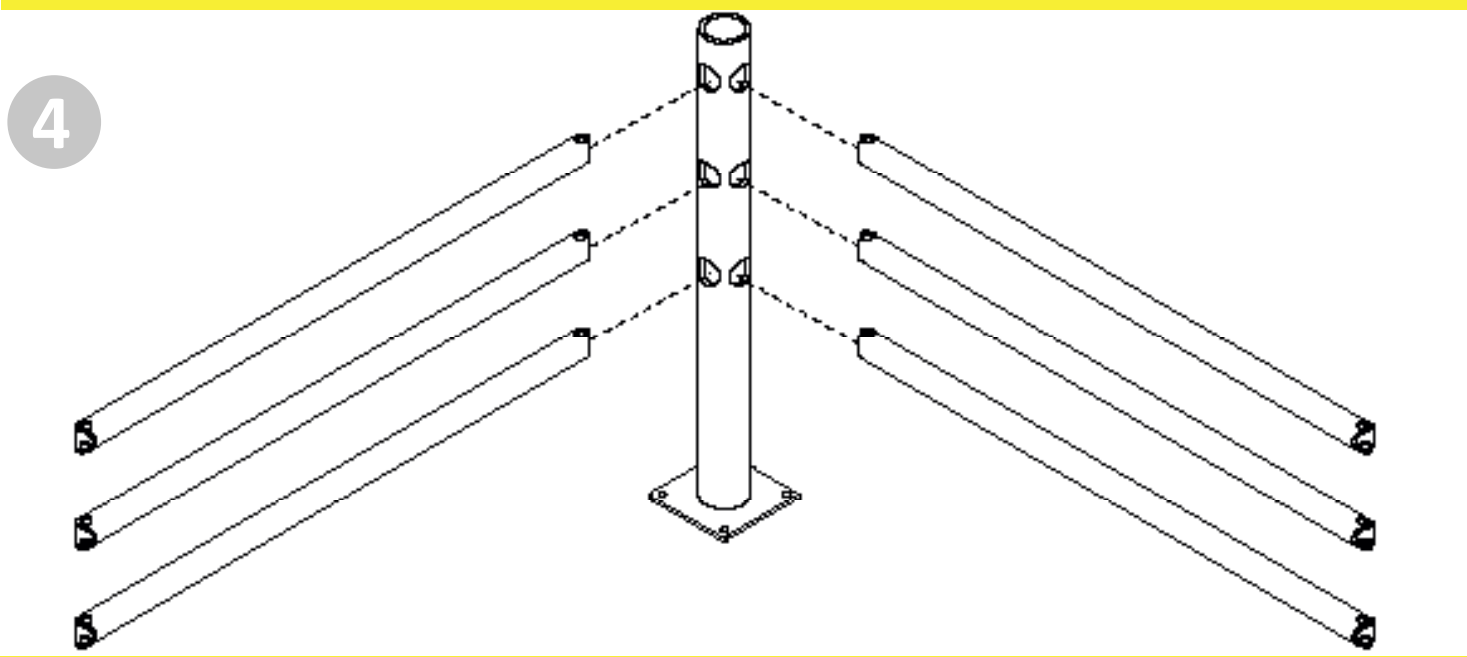
$\varnothing 10\text{ mm}$

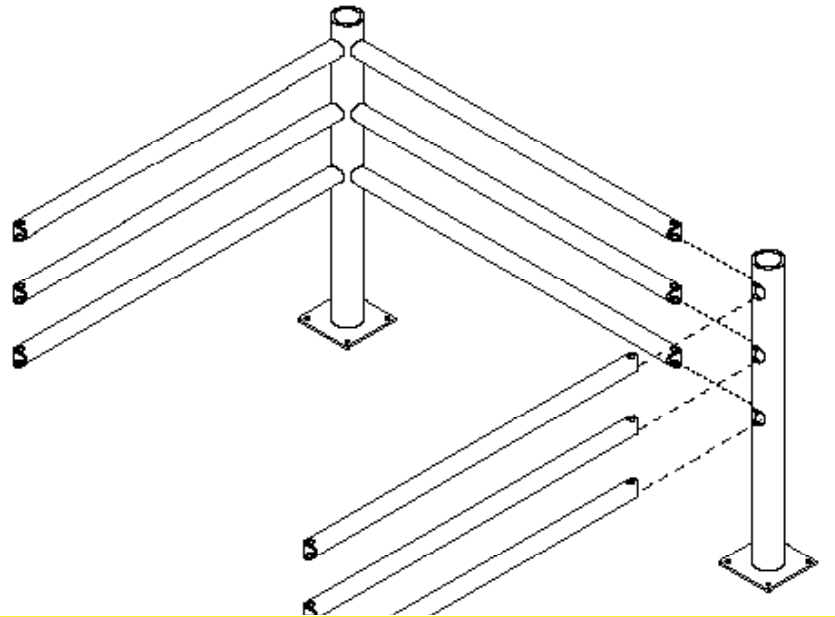
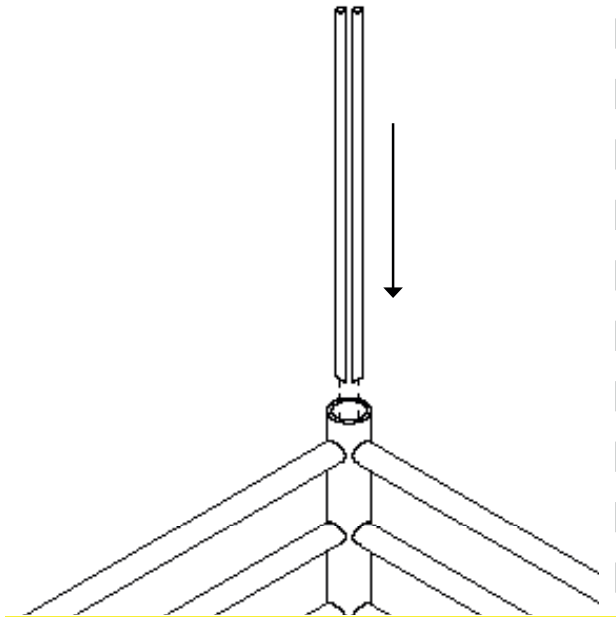
2. 2.

3. 3.

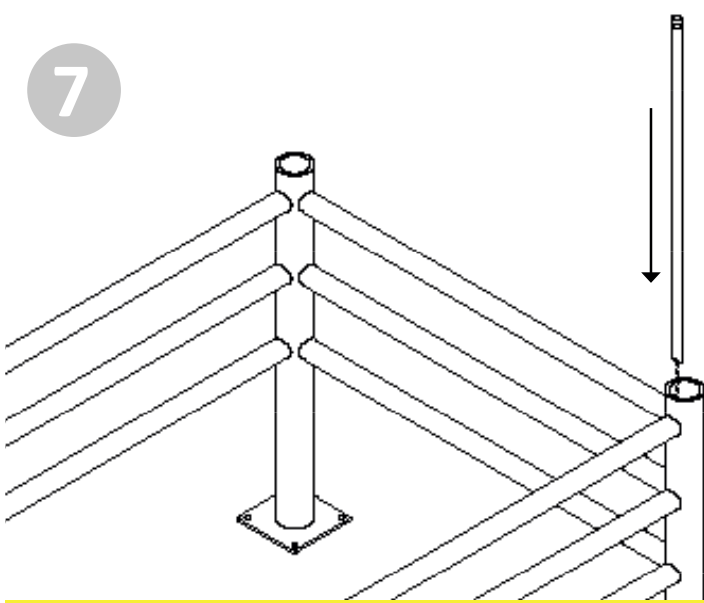
SW15

This section contains three numbered steps for assembly. Step 1 shows a square frame with four small circles at the corners. Step 2 shows a drill bit being used to drill a hole into the corner of the frame. Step 3 shows a drill bit being used to drill a hole into the center of the frame. Step 4 shows a drill bit being used to drill a hole into the center of the frame. Below the steps are icons for a drill bit with a diameter of 10 mm and a hex key labeled SW15.





7



8

