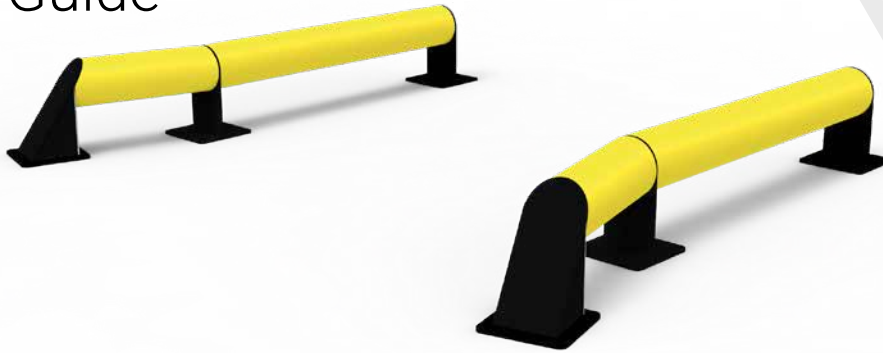




# ROMEIO

## Truck Guide

Available in lengths of  
**2 and 3 meters**



### Description

The d-flexx ROMEIO truck guide is a flexible solution for safely and efficiently loading and unloading trucks. ROMEIO has been specially developed to protect loading ramps and loading bays from unintentional truck collisions and, unlike steel entry aids, to minimise damage to vehicles. Two sizes, 2 metres and 3 metres, are available.

### Features and benefits

- Robust and flexible design: Made from high-quality materials that are both shock-absorbent and durable. The d-flexx truck guide minimises damage to vehicles on contact.
- Easy installation: The entry aid can be installed quickly and easily by one person, thanks to its modular design.
- Increased safety: The clear visibility and robust design reduce the risk of accidents and damage when entering loading areas.
- Cost efficiency: By avoiding repair costs for vehicles and the possibility of replacing individual parts of the entry aid, the d-flexx truck entry aid pays for itself in a very short time.
- Flexibility of use: The entry aid is suitable for various loading ramp types and vehicle sizes and can be adapted to individual requirements.

### Technical Information

Operational Temperature Range:	-40°C up to +50°C / -40°F up to +112°F
Ignition Temperature:	350-360°C / 662 - 680°F
Flash Point:	350-360°C / 662 - 680°F
Toxicity:	Nontoxic
Chemical Resistance:	High-ISO / TR 10358
UV Stability	Gray scale: 5/5
Changes to material after 5 years:	Blue Wool scale: 8/8 Tensile strength: No changes
Static Rating (surface resistivity):	10 <sup>15</sup> -10 <sup>16</sup> Ω
Standard Warranty:	5 Years

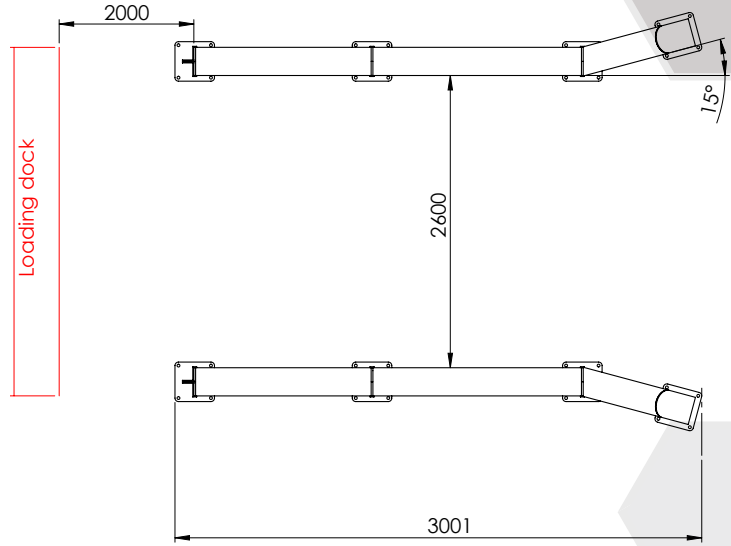
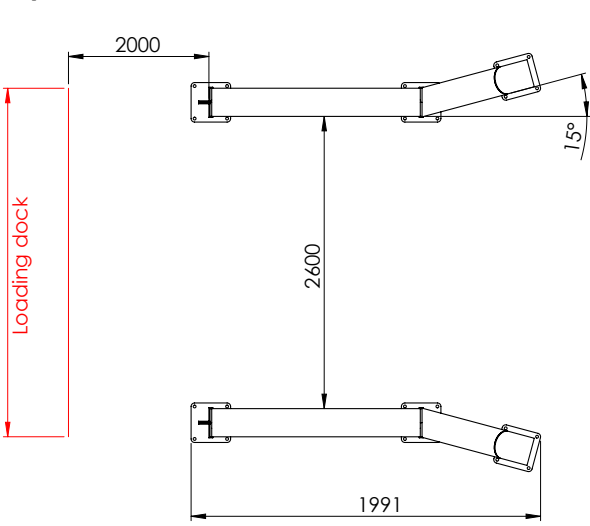
### Scan or click to review



Maintenance Guide  
Assembly Guide  
Videos  
Tender Text  
Warranty



**Specifications**



**Measurements mm vs in**

	mm	in
Length 1	1991	783,11
Length 2	3001	1181
Distance 1	2000	787,74
Distance 2	2600	1023,62