



DELTA B

Post



Tested Impact Energy
according to **PAS13**

1.500 Joule

At 90° Impact, 3.6 km/h
(2,24 mph) and 3.150 kg (6945 lbs)
on a C20/25 concrete floor and
max. force to bolt at 13 kN.

Description

The d-flexx DELTA Bollard is designed primarily as a visual aid to mark and safeguard vulnerable edges, corners, and critical structures around doorways and other essential areas. Made from polyethylene, it serves as a guide, helping to prevent minor bumps and scuffs rather than withstanding heavy impacts. Its bright, visible color draws attention in busy environments, offering clear directional support for drivers of forklifts and other vehicles. Ideal for light-duty use, the d-flexx DELTA Bollard provides a practical solution to enhance safety and minimize small damages in high-traffic zones.

Technical Information

Operational Temperature Range:	-40°C up to +50°C / -40°F up to +112°F
Ignition Temperature:	350-360°C / 662 - 680°F
Flash Point:	350-360°C / 662 - 680°F
Toxicity:	Nontoxic
Chemical Resistance:	High-ISO / TR 10358
UV Stability	Gray scale: 5/5
Changes to material after 5 years:	Blue Wool scale: 8/8 Tensile strength: No changes
Static Rating (surface resistivity):	10 ¹⁵ -10 ¹⁶ Ω
Standard Warranty:	5 Years
Fixations:	Concrete screw, Zinc coated, Size Ø10x70 mm
Max. inclination angle:	15°

Scan or click to review

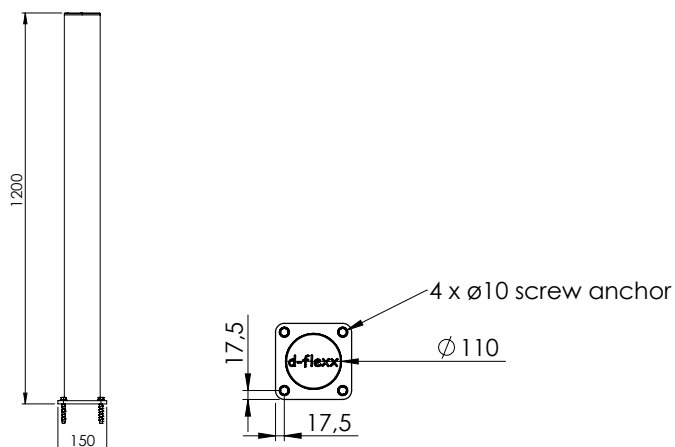


*Maintenance Guide
Assembly Guide
Videos
Tender Text
Warranty*

d-flexx

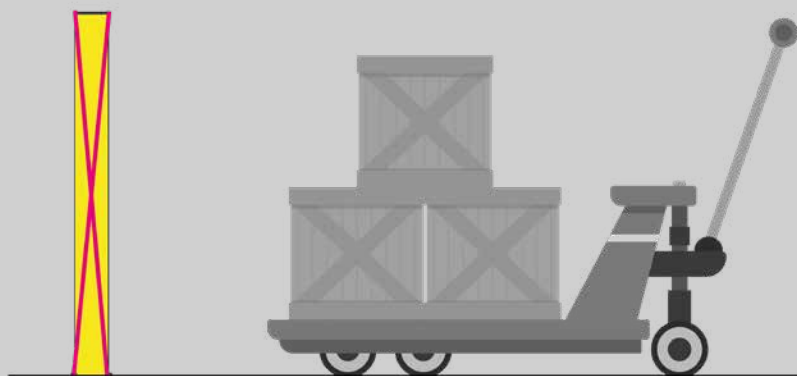


Specifications



Measurements mm vs in

	mm	in
Diameter	110	4,33
Height	1200	47,24
Footplate	150	5,91
Pos. drill holes	17,5	0,69



Max. inclination Angle 15°



Impact Test DELTA B

Bollard max. energy 1.500

Force to bolt 13 kN

