



d-flexx

JULIET

## "Delta"

DFJU-TM

DFJU-TE

DFJU-TT

DFJU-TW90L

DFJU-TW90R

DFJU-TW337.5

DFJU-TW315

DFJU-TW45

DFJU-TW67.5

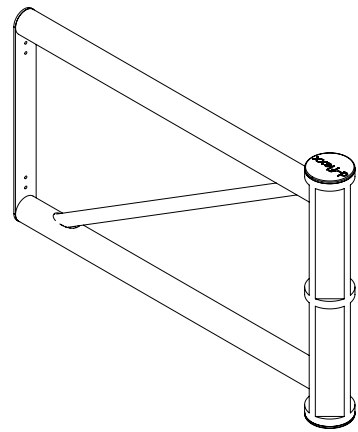
DFJU-TW22.5

DFJU-TW292.5

DFJU-DA800-A

DFJU-DA1000-A

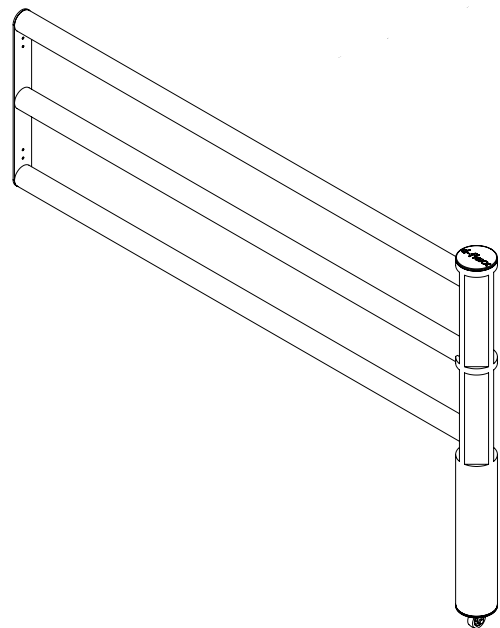
DFJU-DA1200-A



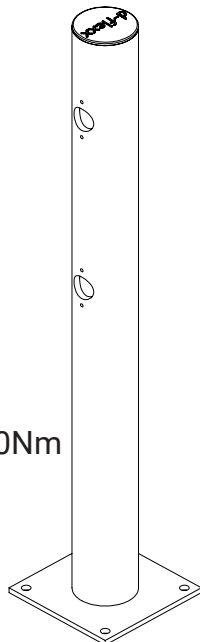
DFJU-DA1500-A

DFJU-DA1750-A

DFJU-DA2000-A



max. 30Nm

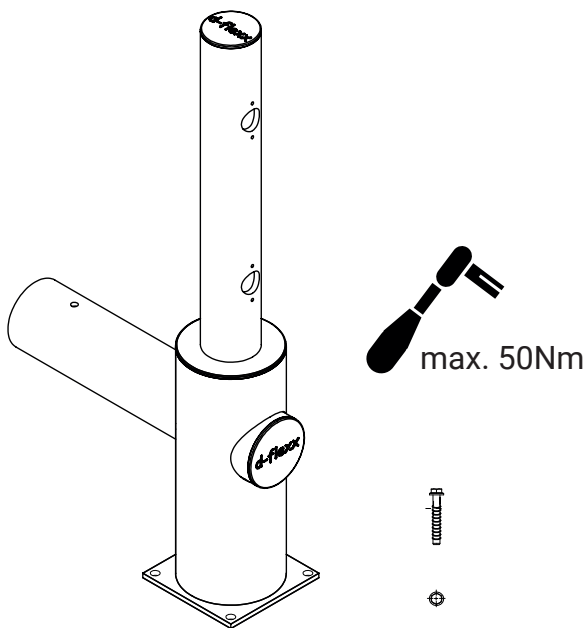
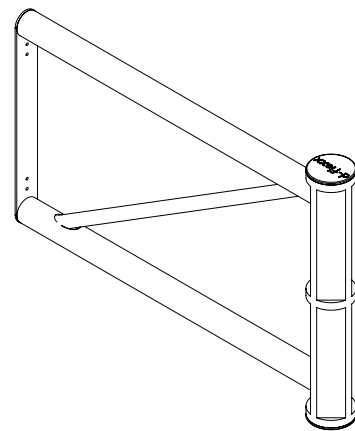


747.37-7

## "Echo"

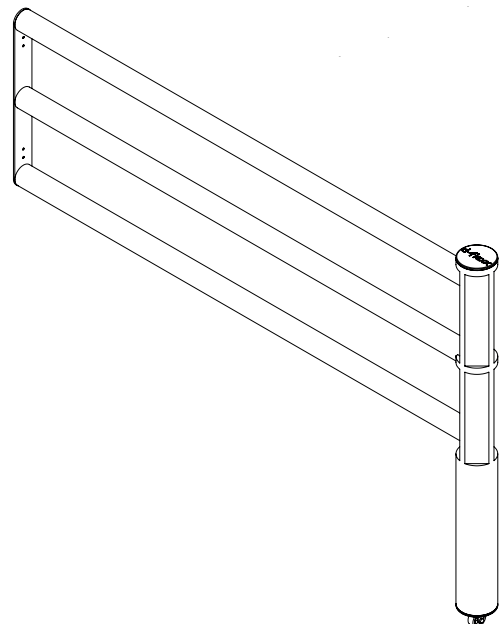
- DFJU+TM
- DFJU+TE
- DFJU+TT
- DFJU+TW90L
- DFJU+TW90R
- DFJU+TW337.5
- DFJU+TW315
- DFJU+TW45
- DFJU+TW67.5
- DFJU+TW22.5
- DFJU+TW292.5

- DFJU-DA800-A
- DFJU-DA1000-A
- DFJU-DA1200-A

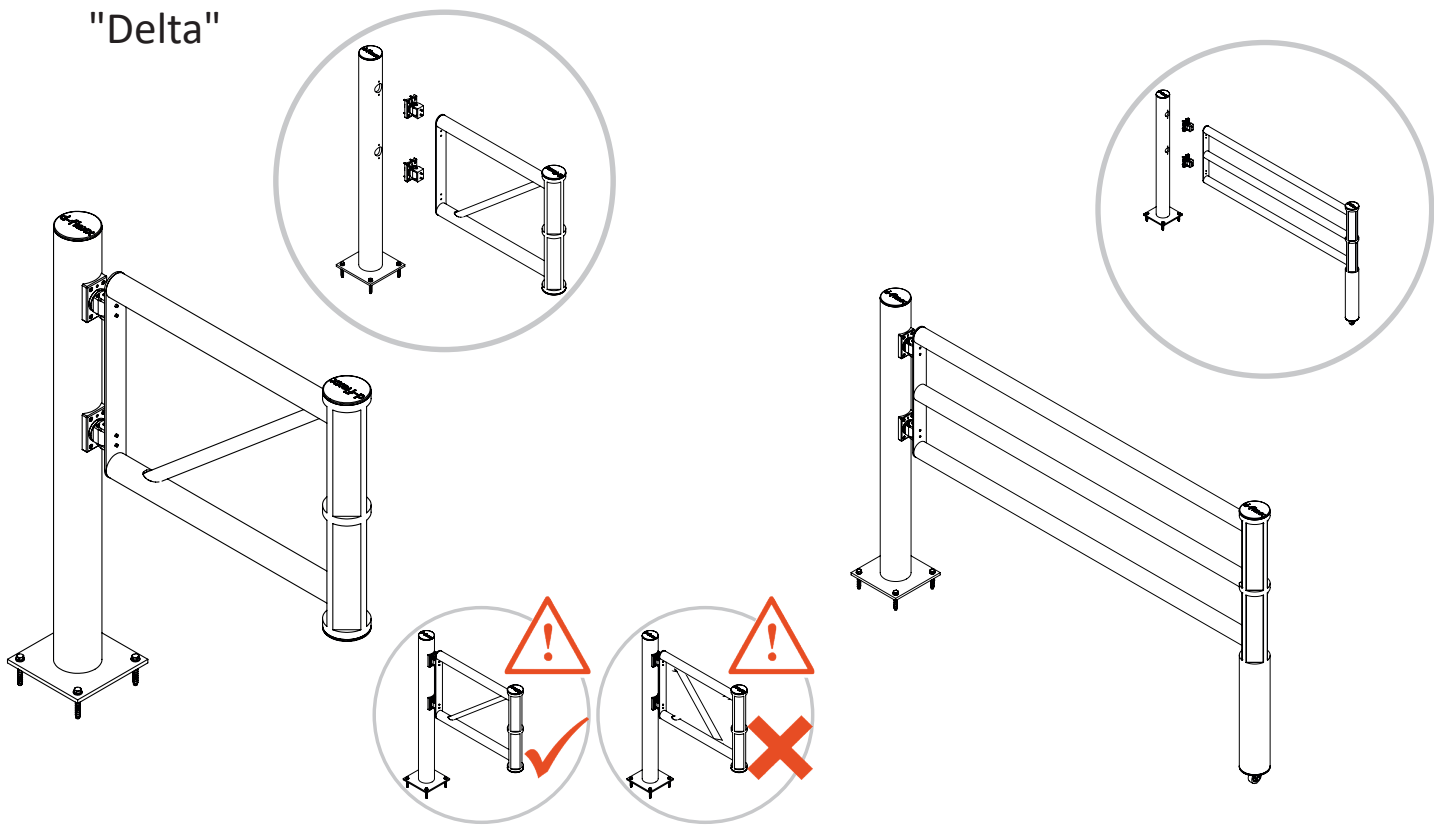


747.27-1

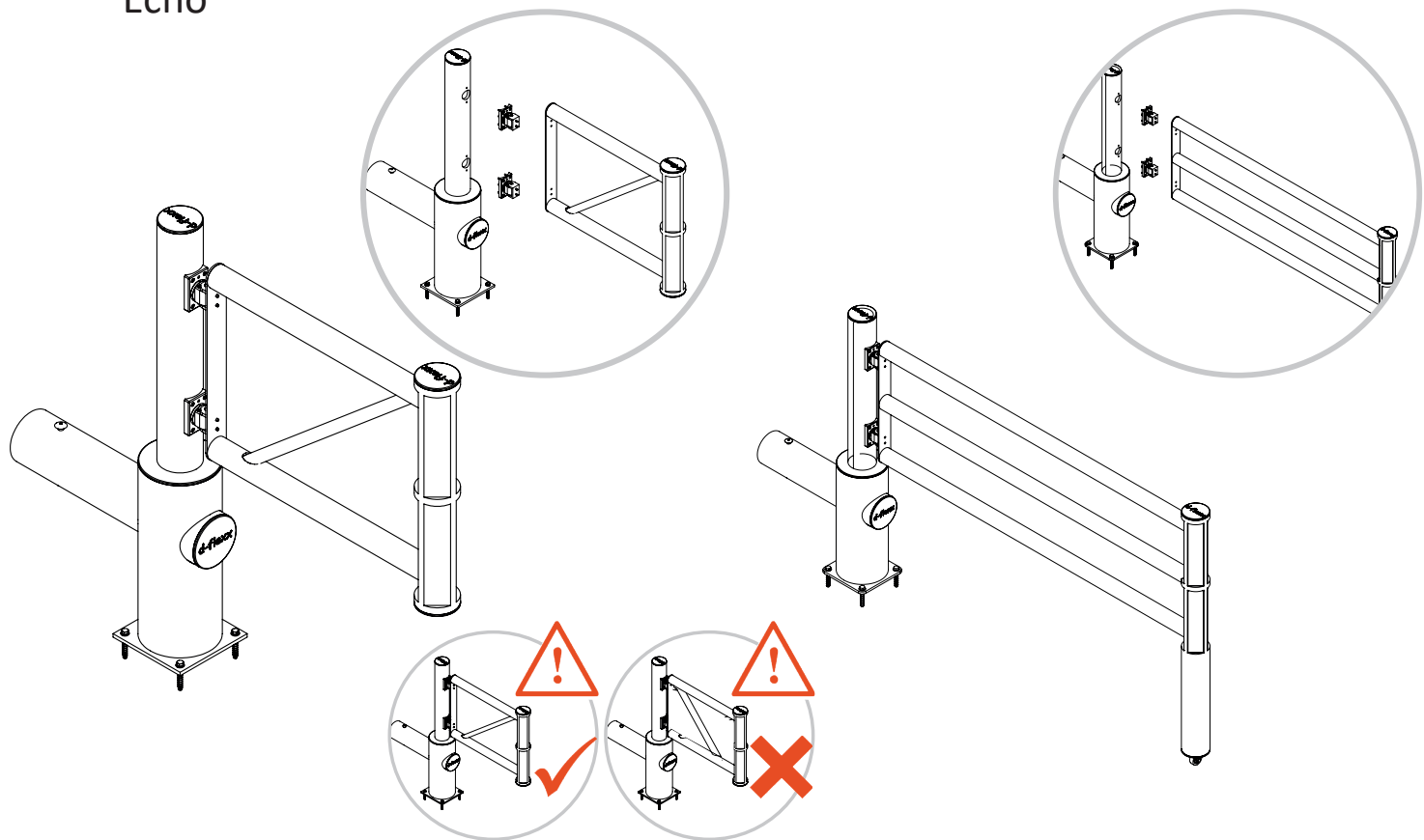
- DFJU-DA1500-A
- DFJU-DA1750-A
- DFJU-DA2000-A



### "Delta"

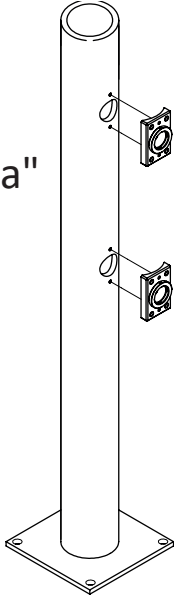


### "Echo"

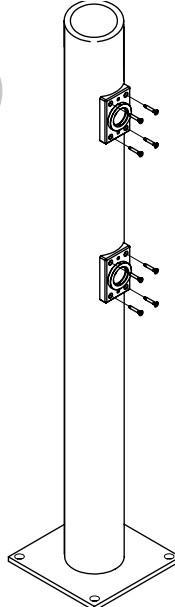


1

"Delta"

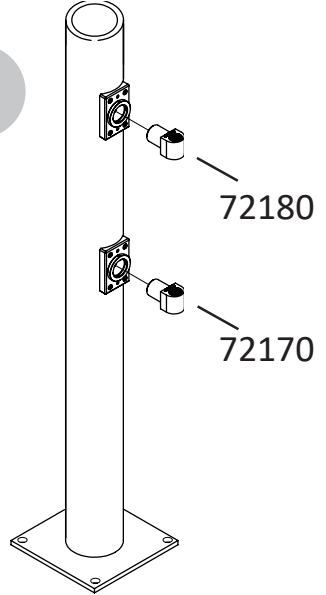


2



72191

3

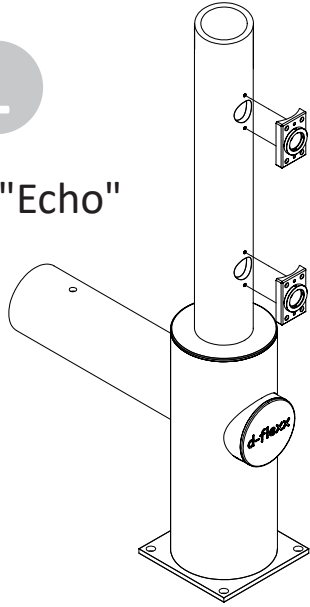


72180

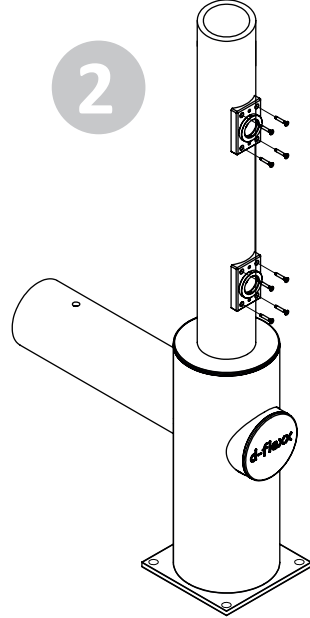
72170

1

"Echo"

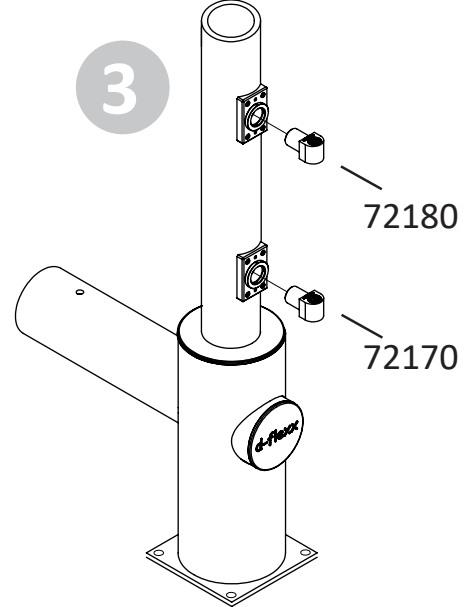


2



72191

3

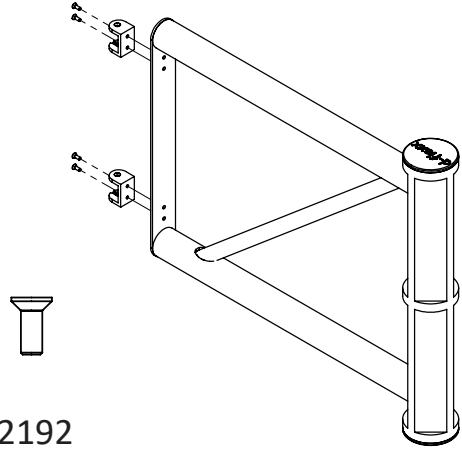


72180

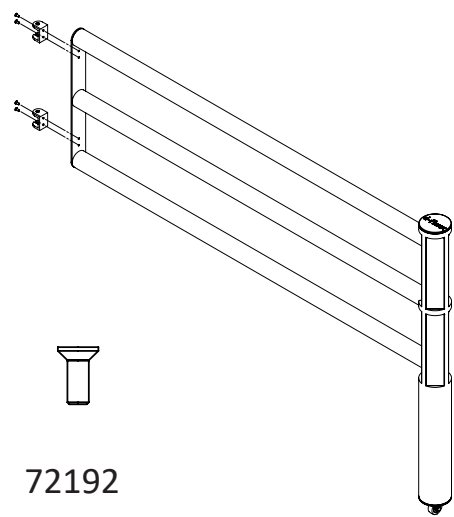
72170

4

"Delta" + "Echo"



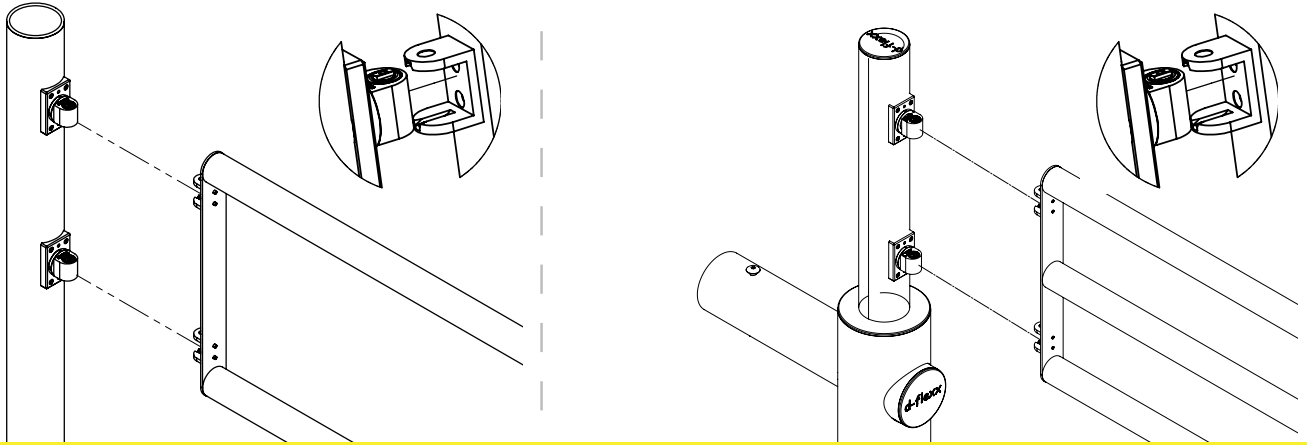
72192



72192

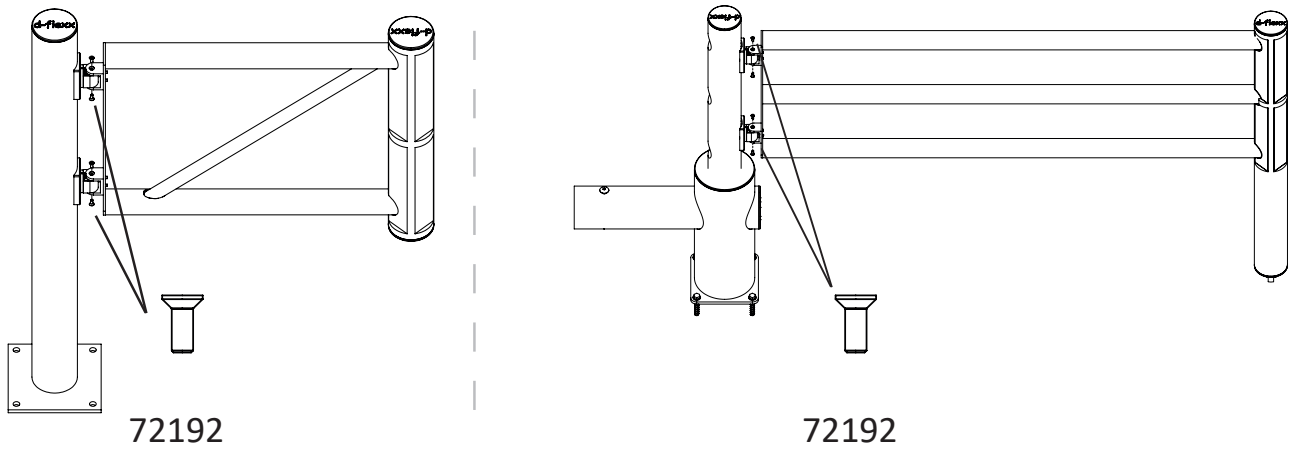
"Delta" + "Echo"

5



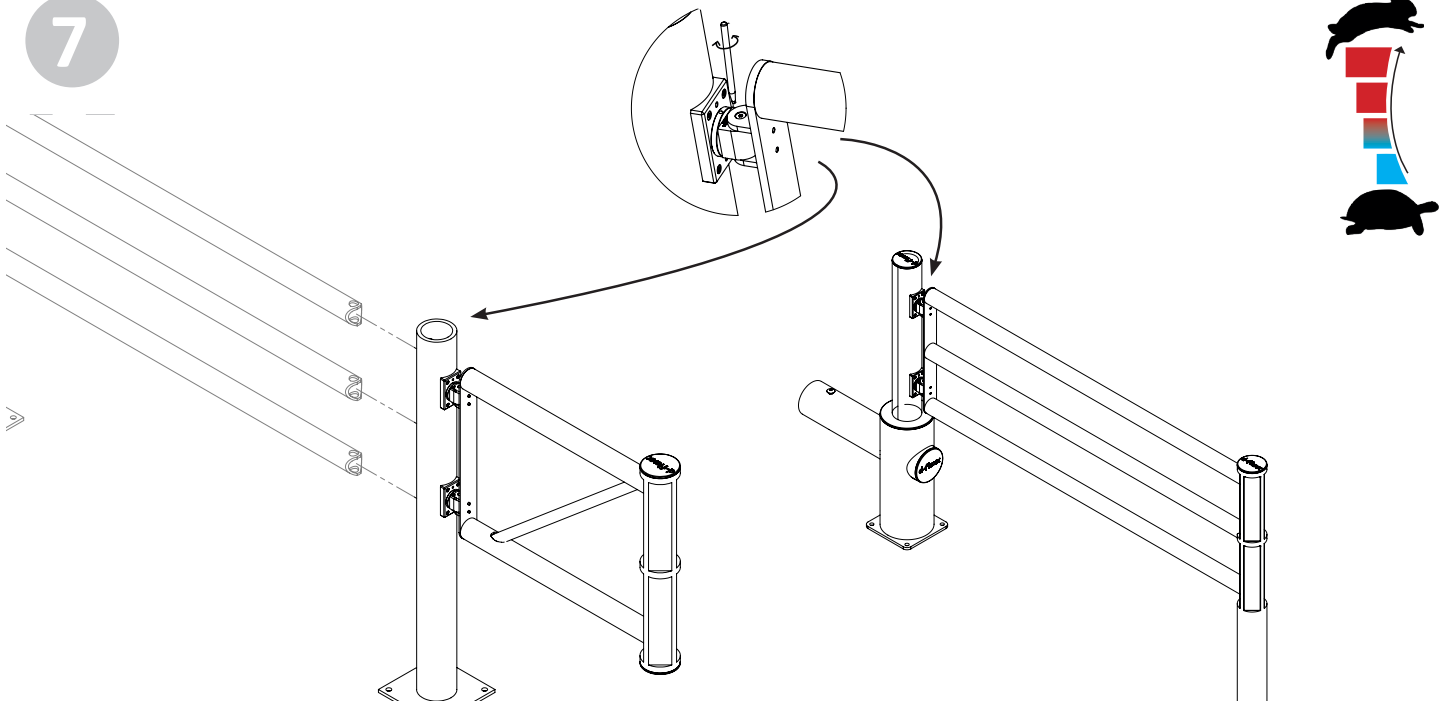
"Delta" + "Echo"

6



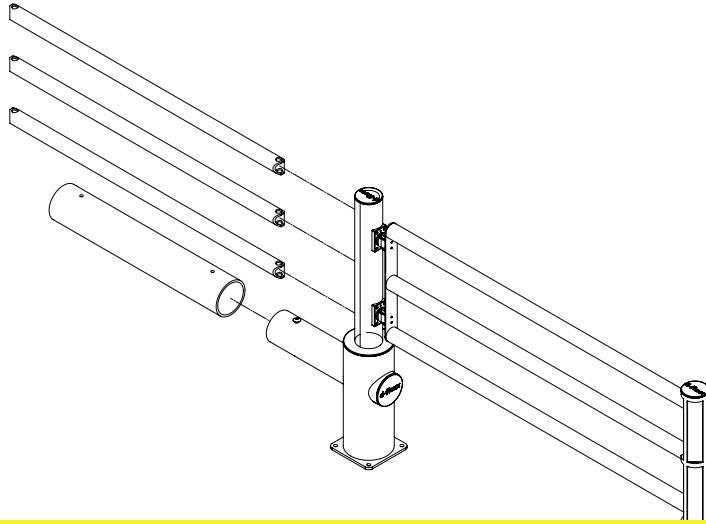
"Delta" + "Echo"

7



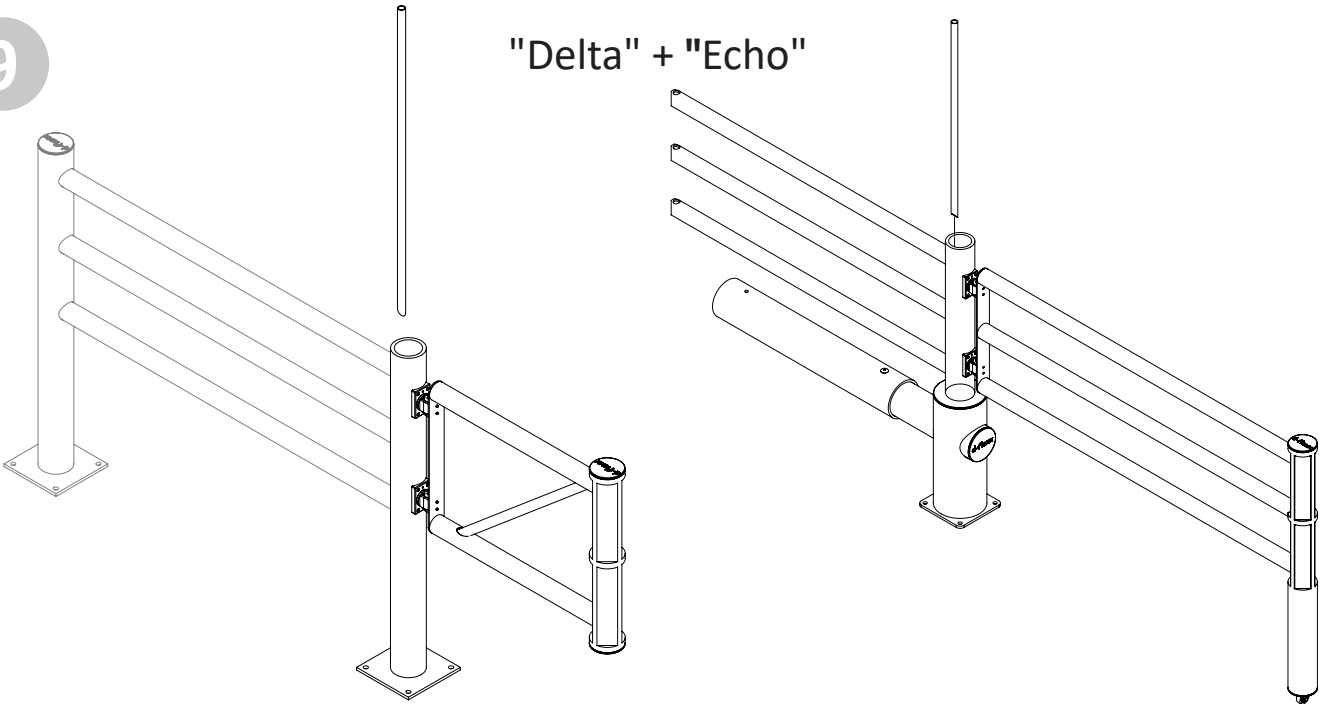
8

"Echo"



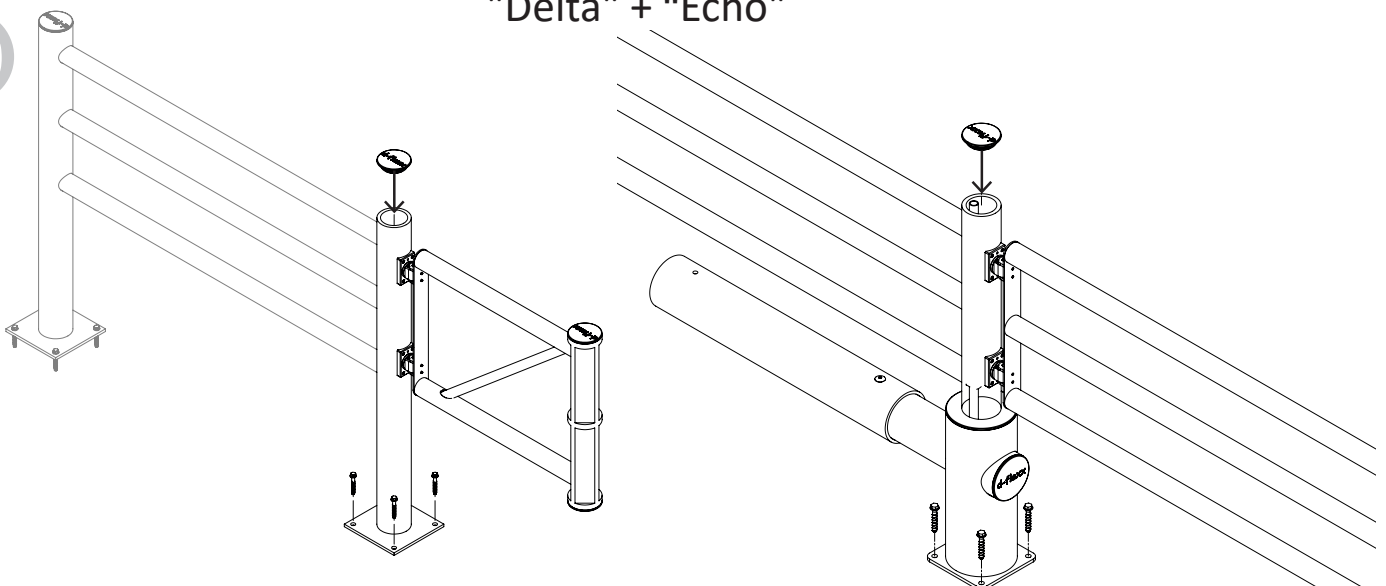
9

"Delta" + "Echo"



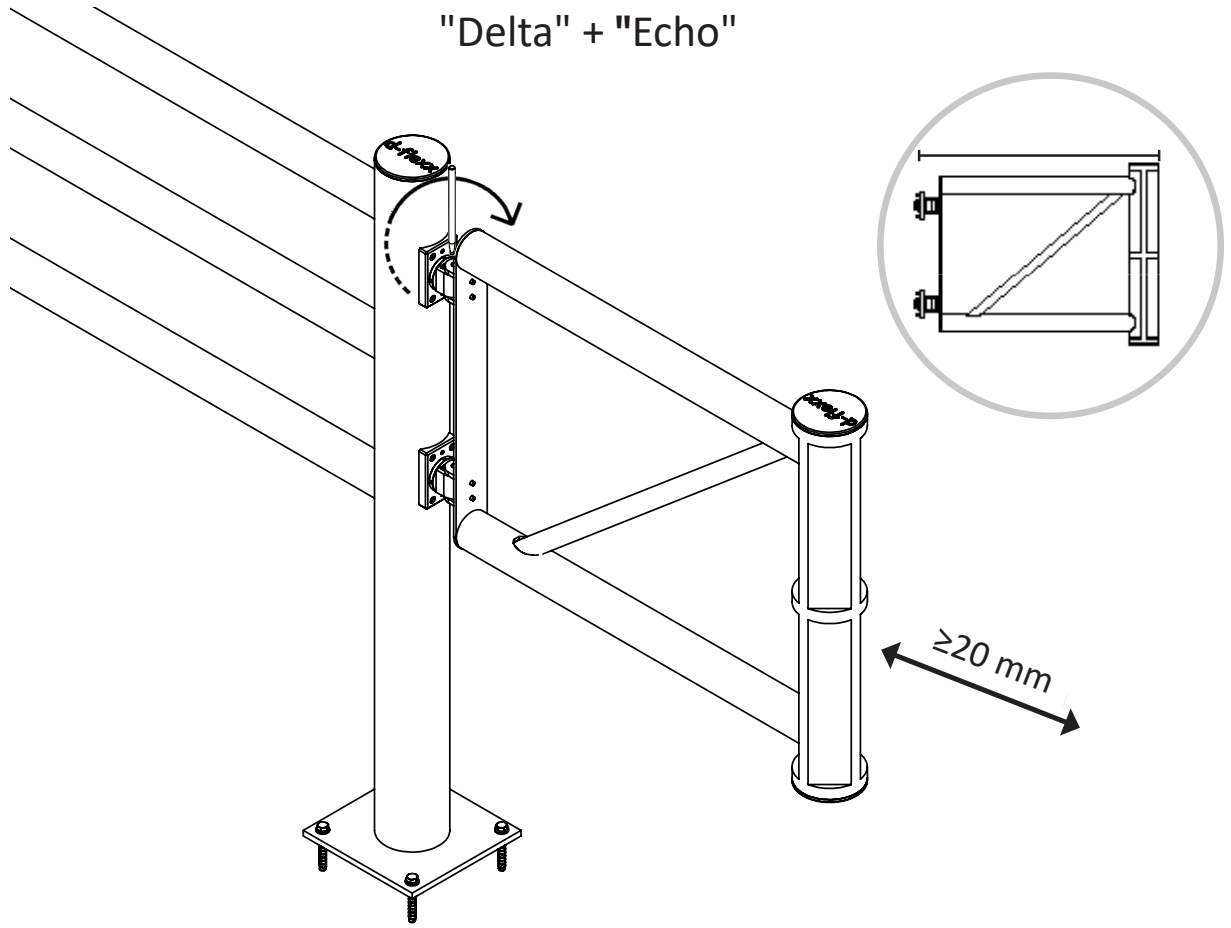
10

"Delta" + "Echo"



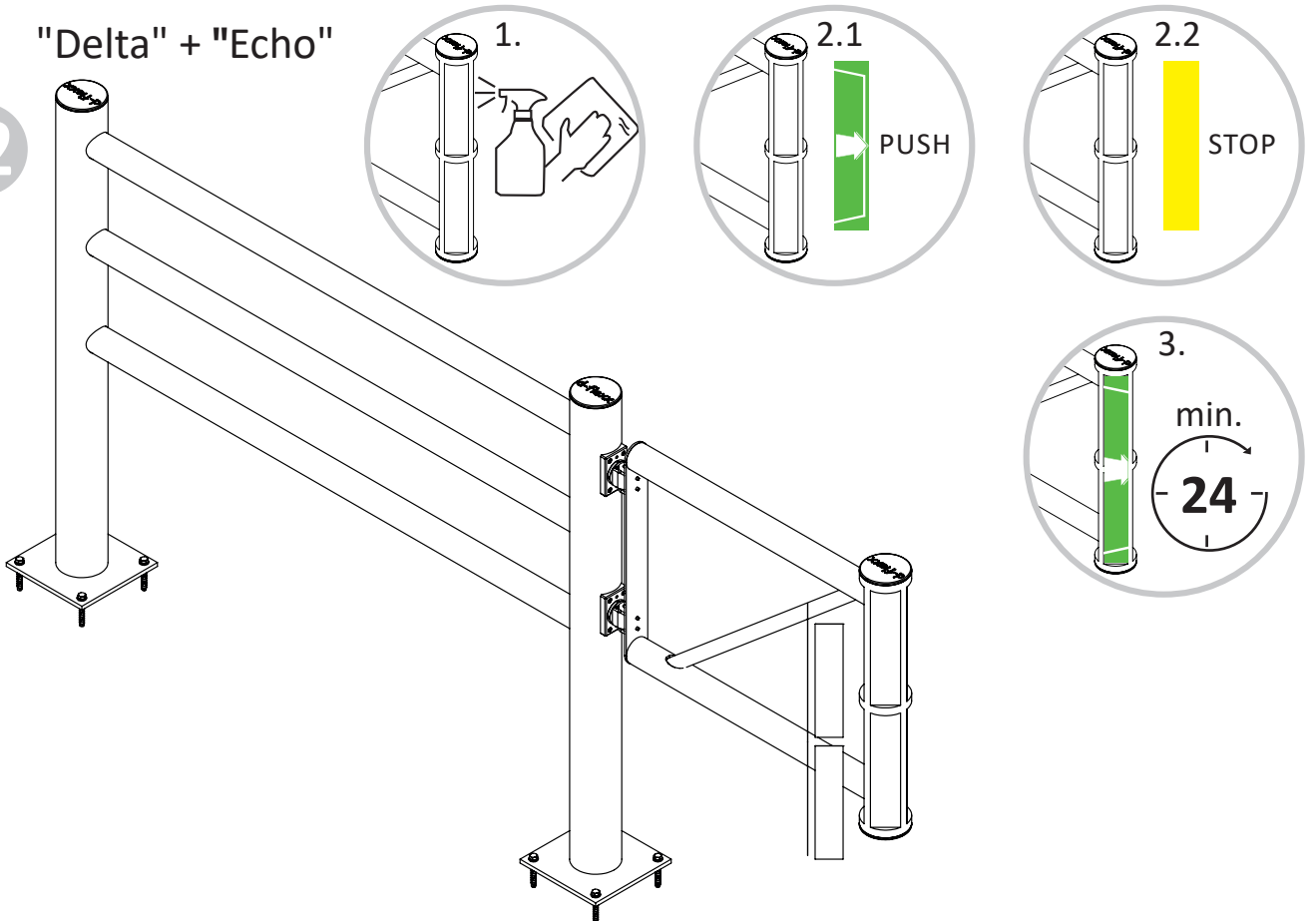
11

"Delta" + "Echo"



12

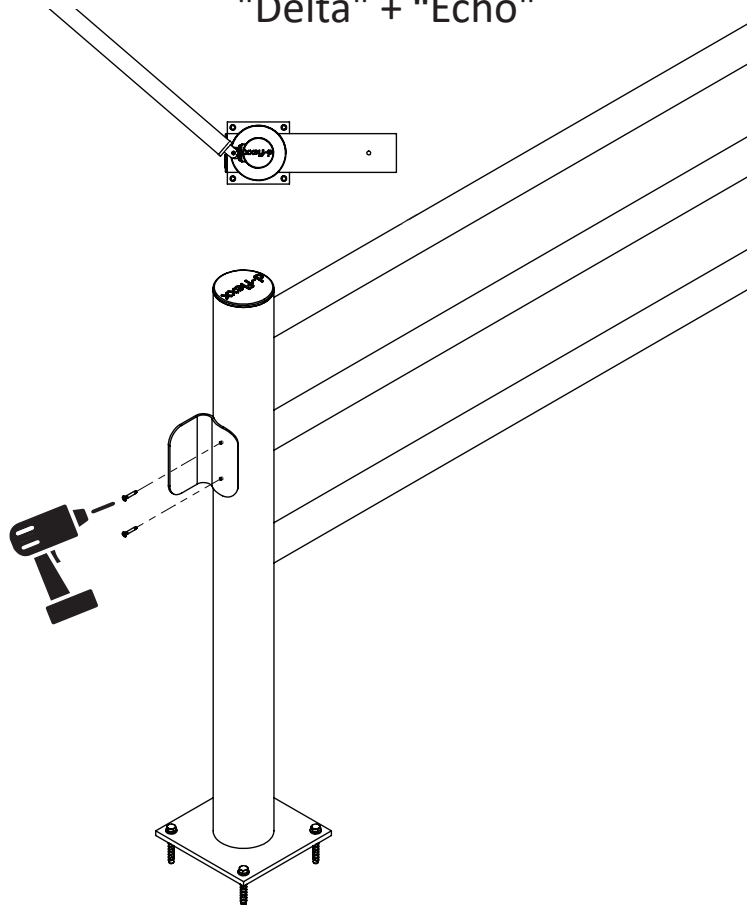
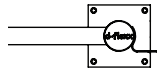
"Delta" + "Echo"





13

"Delta" + "Echo"



14

"Delta" + "Echo"

